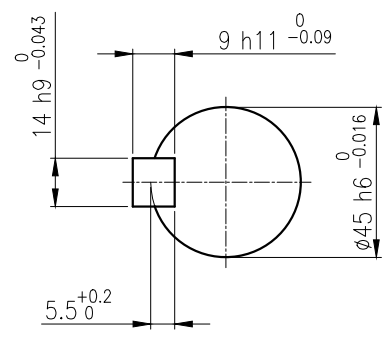
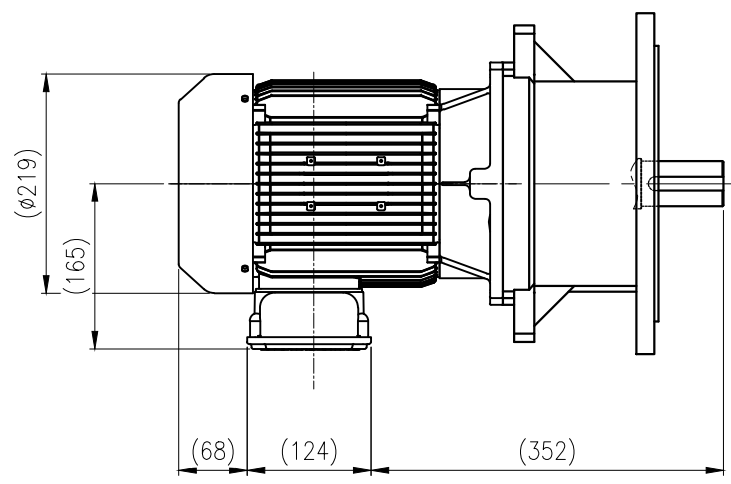


	1	2	3	4	5
--	---	---	---	---	---

No.	NAME	MATERIAL	DWG/MATL No.	CODE	Q'TY	SIZE	WEIGHT	REMARK
					0			

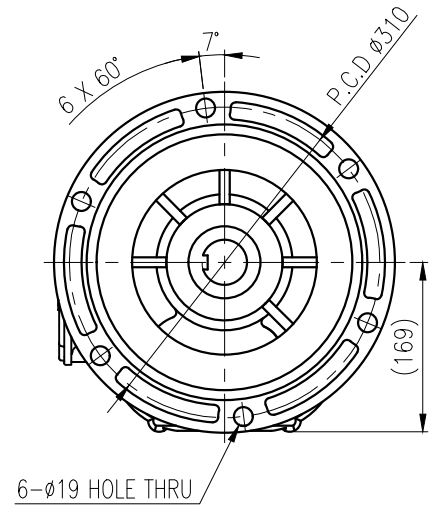
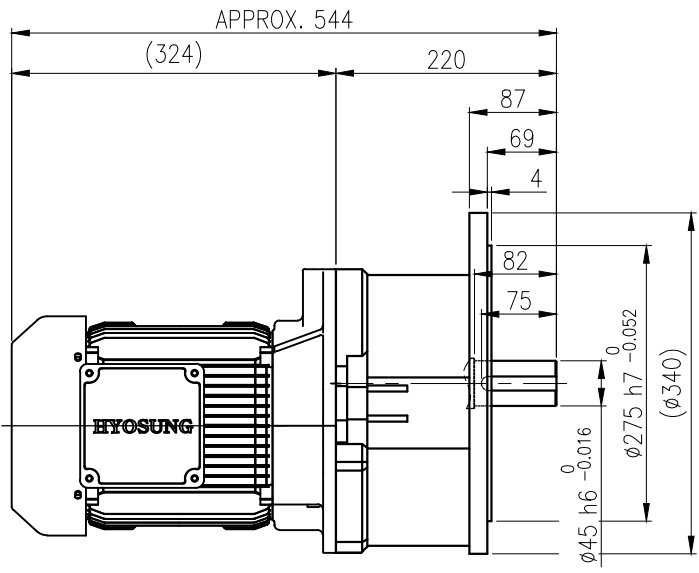
A



OUTPUT SHAFT
KEY 14 x 9 x 68

B

C



D

			BEARING		
			INPUT SHAFT	6205ZZ 6207ZZ	

			OIL SEAL	2ND PINION	6205ZZ 6305ZZ	GREASE : NLGI(EP)00
--	--	--	----------	------------	---------------	---------------------

		MOTOR SHAFT	D(M) 35 x 47 x 7	3RD PINION	-	ABOUT 3.0 kg
--	--	-------------	------------------	------------	---	--------------

		OUTPUT SHAFT	D(M) 50 x 72 x 12	OUTPUT SHAFT	PM3530 6310ZZ	WEIGHT 76 kg
--	--	--------------	-------------------	--------------	---------------	--------------

				DWG NAME	외형도 OUTLINE DIMENSION	
--	--	--	--	----------	--------------------------	--

				DWG No.	EK2D0100768H0001	UNIT	mm
						SCALE	1:1

No.	DATE	DESCRIPTION of REVISION	DESIGNED	CHECKED	REVIEWED	APPROVED	DATE	2024-02-06
			2024.02.06	2024.02.06	2024.02.06	2024.02.06		
			KIM.S.M	KIM.S.M	JUNG.S.S	JUNG.C.S		

								REVISION No.	00
								THIRD ANGLE PROJECTION	
								REF. No.	(EK2D007775H0001)



TYPE F1VA_17_2.2kW_5~30:1_프리미엄

(A)

이 도면상에 표시된 정보는 표절행위(단)의 소유이며 영사의 사전 서면동의 없이 무단사용을 금합니다.